

www.pgr.com.tr

PGR[®]
DRIVE TECHNOLOGIES

| EN |

GENERAL PART LIST

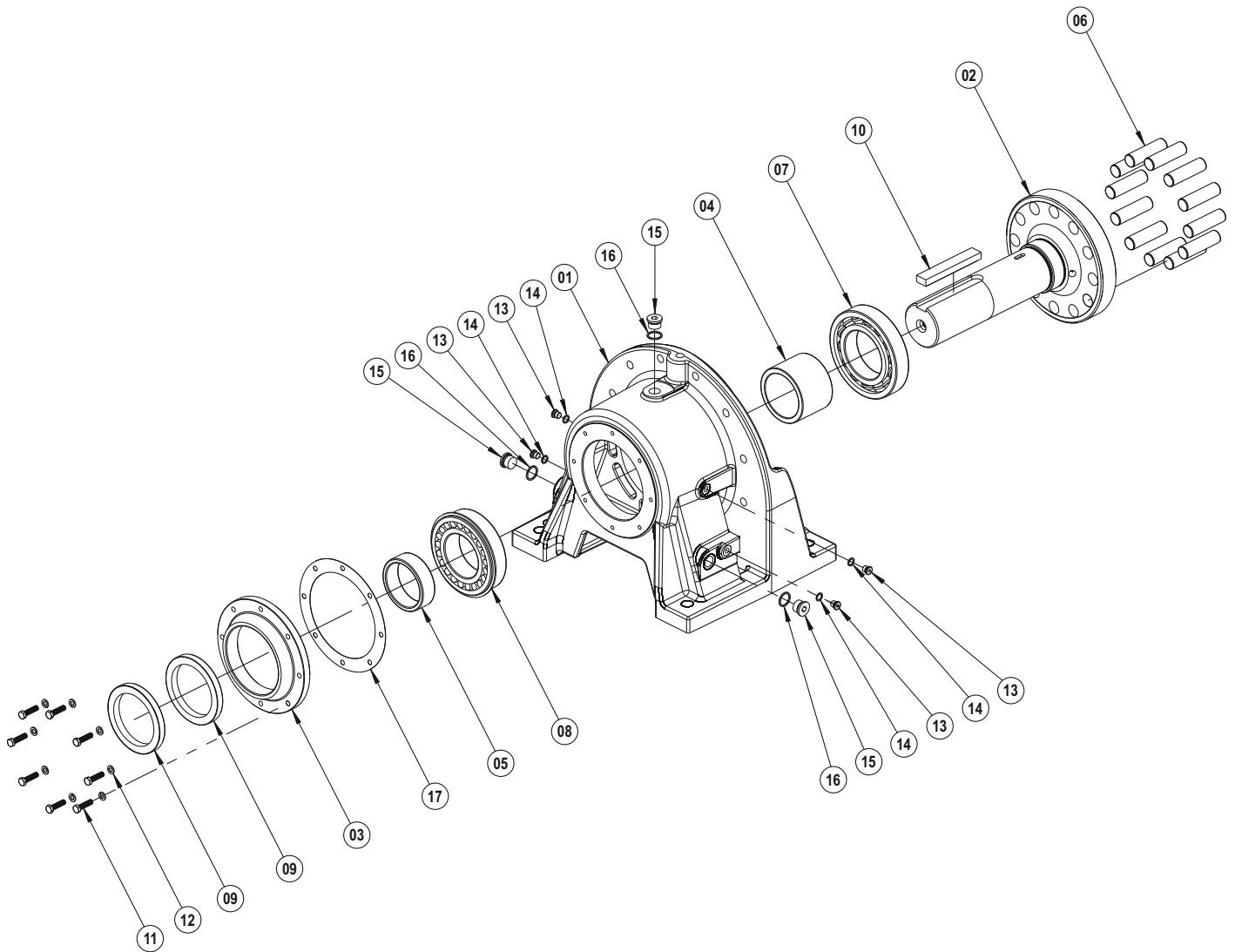
PCD | SERIES

Cycloidal Gear Units

We reserve the right to our company to make changes or modifications to catalogue without prior notice.

PGR[®]
DRIVE TECHNOLOGIES

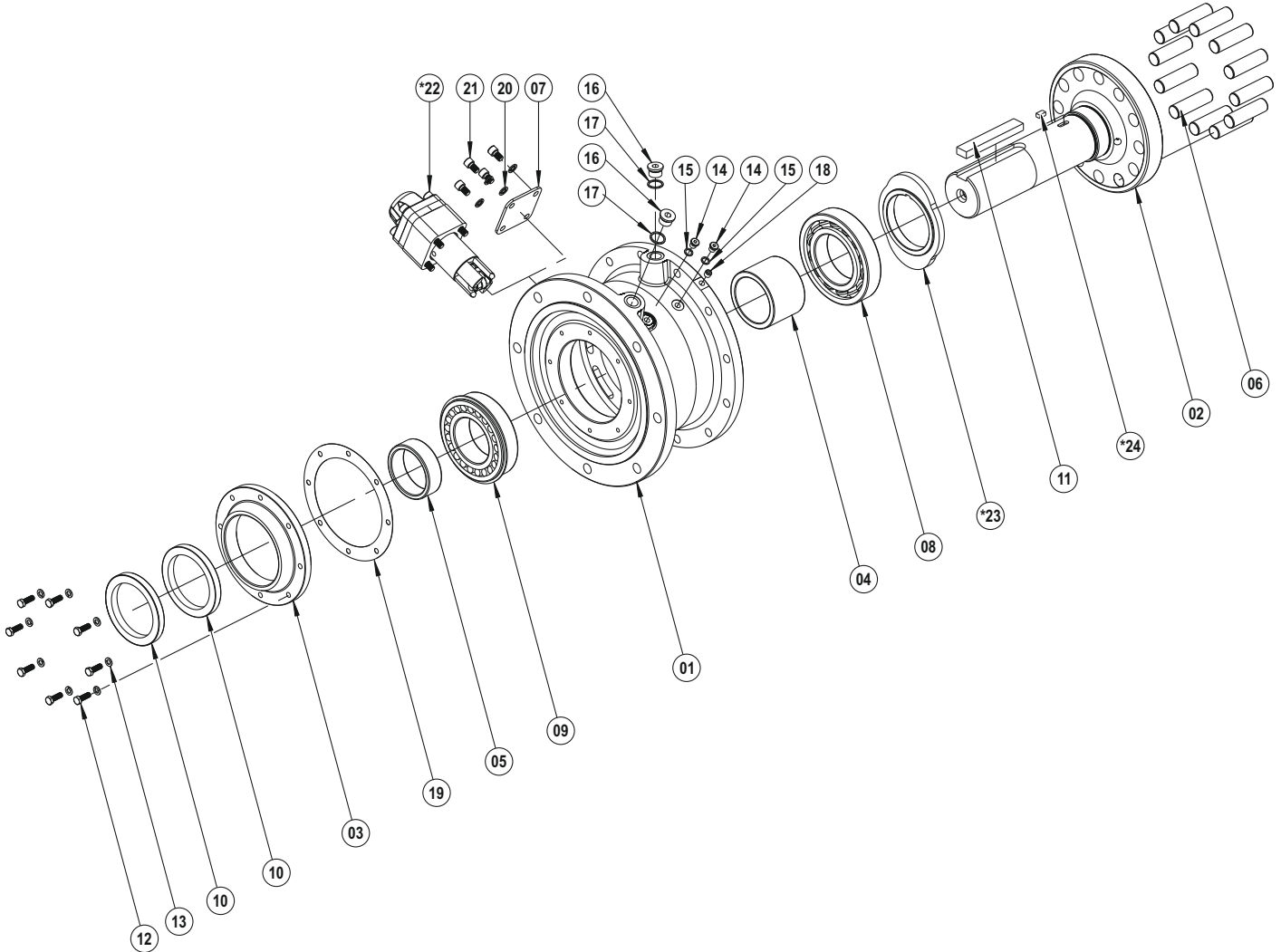
PCD 607-627 H OUTPUT KIT



- 01 Gear Case
- 02 Output Shaft
- 03 Output Cover
- 04 Spacer
- 05 Output Collar
- 06 Shaft Pin
- 07 Bearing
- 08 Bearing
- 09 Oil Seal
- 10 Key B (DIN 6885)
- 11 Bolt (DIN 933)
- 12 Washer (DIN 127)
- 13 Oil Plug (DIN 908)
- 14 Washer (DIN 7603)
- 15 Oil Plug (DIN 908)
- 16 Washer (DIN 7603)
- 17 Gasket

PCD 607-627 V OUTPUT KIT

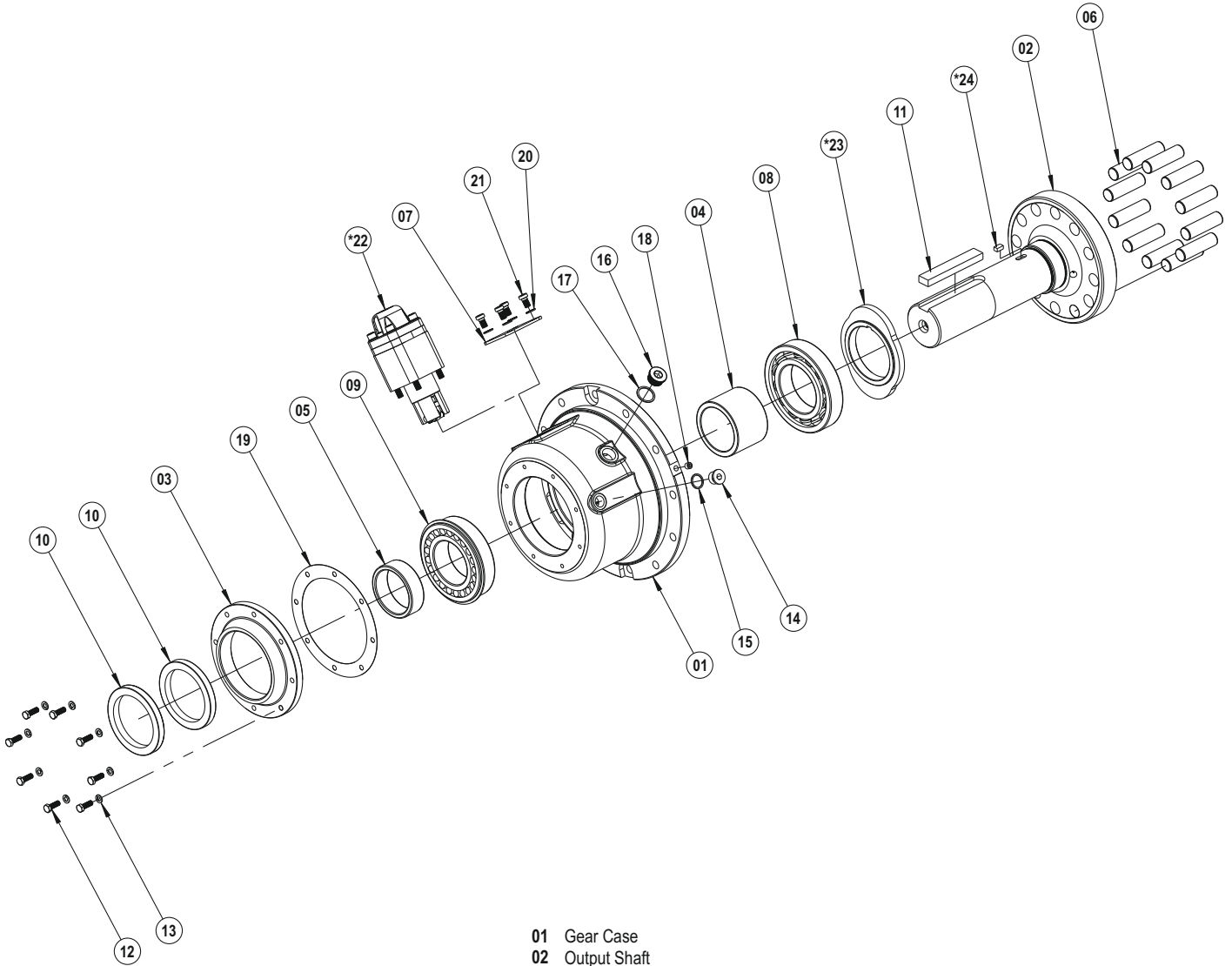
*** Note:** Starred Parts Will Be Added in M4 Mounting Position



- 01 Gear Case
- 02 Output Shaft
- 03 Output Cover
- 04 Spacer
- 05 Output Collar
- 06 Shaft Pin
- 07 Cover
- 08 Bearing
- 09 Bearing
- 10 Oil Seal
- 11 Key B (DIN 6885)
- 12 Bolt (DIN 933)
- 13 Washer (DIN 127)
- 14 Oil Plug (DIN 908)
- 15 Washer (DIN 7603)
- 16 Oil Plug (DIN 908)
- 17 Washer (DIN 7603)
- 18 Setscrew (DIN 916)
- 19 Gasket
- 20 Washer (DIN 127)
- 21 Bolt (DIN 7984)
- 22 *Pump KIT
- 23 *Cam
- 24 *Key B (DIN 6885)

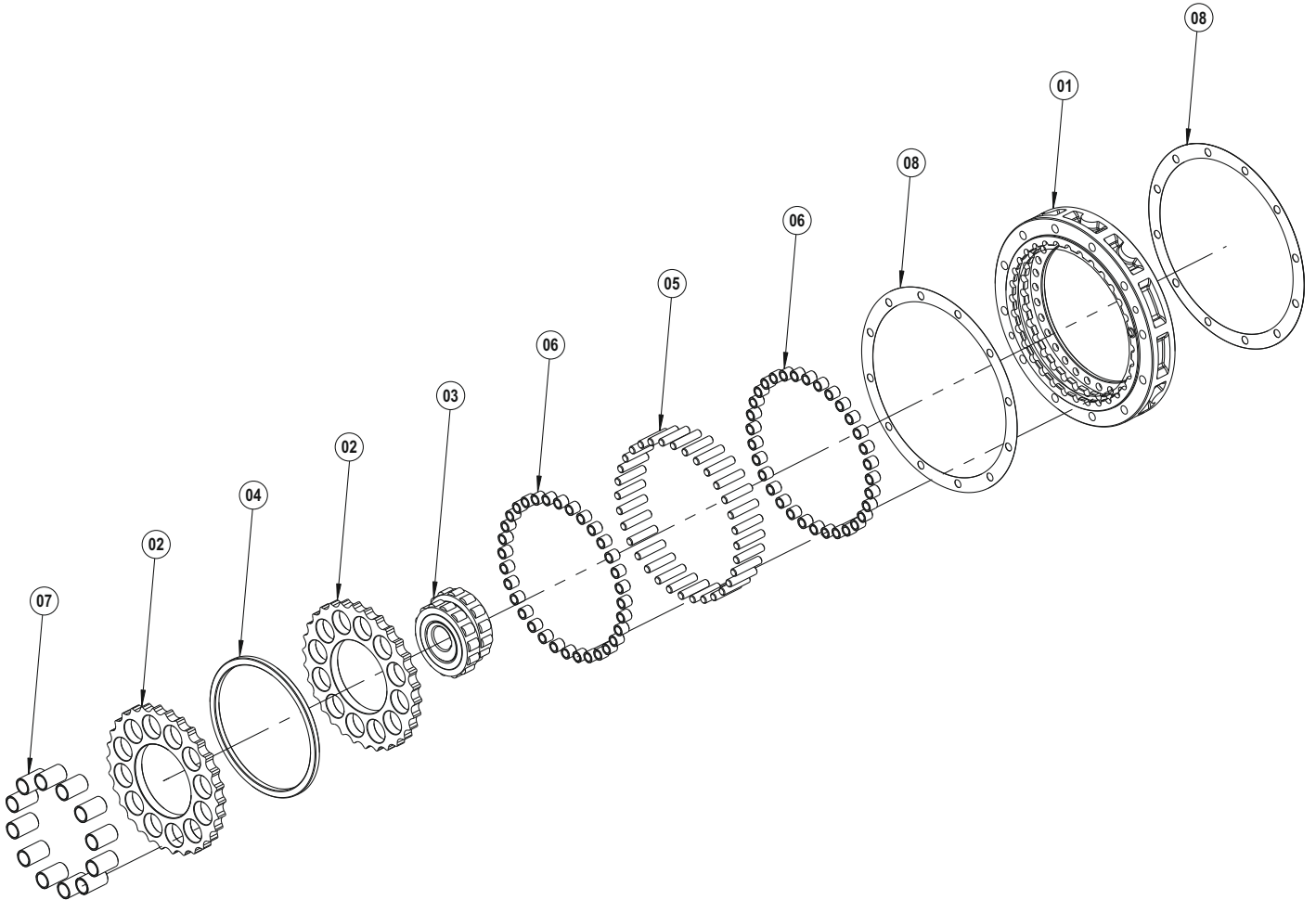
PCD 607-627 F OUTPUT KIT

*** Note:** Starred Parts Will Be Added in M4 Mounting Position



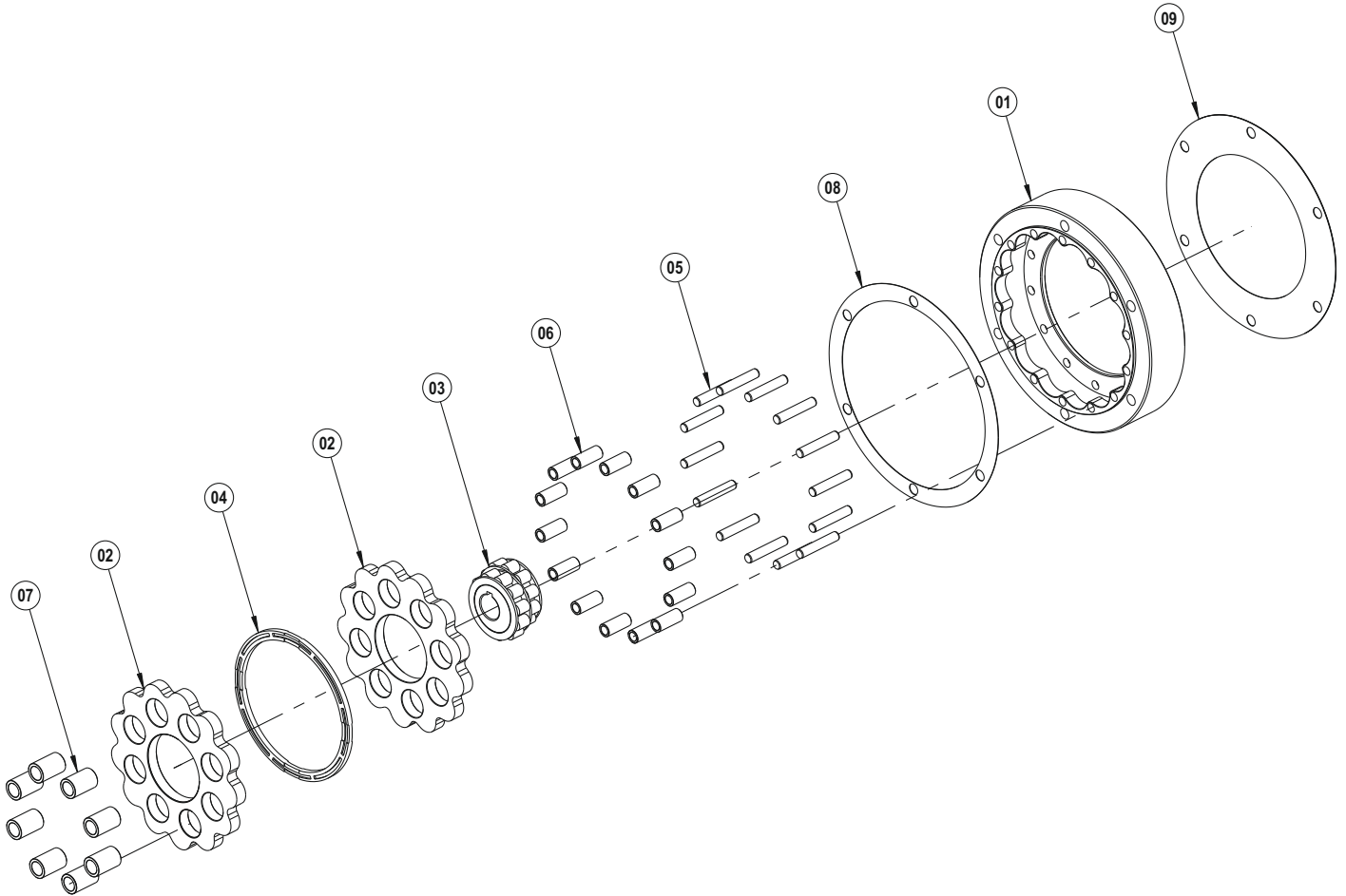
- 01 Gear Case
- 02 Output Shaft
- 03 Output Cover
- 04 Spacer
- 05 Output Collar
- 06 Shaft Pin
- 07 Cover
- 08 Bearing
- 09 Bearing
- 10 Oil Seal
- 11 Key B (DIN 6885)
- 12 Bolt (DIN 933)
- 13 Washer (DIN 127)
- 14 Oil Plug (DIN 908)
- 15 Washer (DIN 7603)
- 16 Oil Plug (DIN 908)
- 17 Washer (DIN 7603)
- 18 Setscrew (DIN 916)
- 19 Gasket
- 20 Washer (DIN 127)
- 21 Bolt (DIN 7984)
- 22 *Pump KIT
- 23 *Cam
- 24 *Key B (DIN 6885)

PCD 617-627 RING GEAR KIT



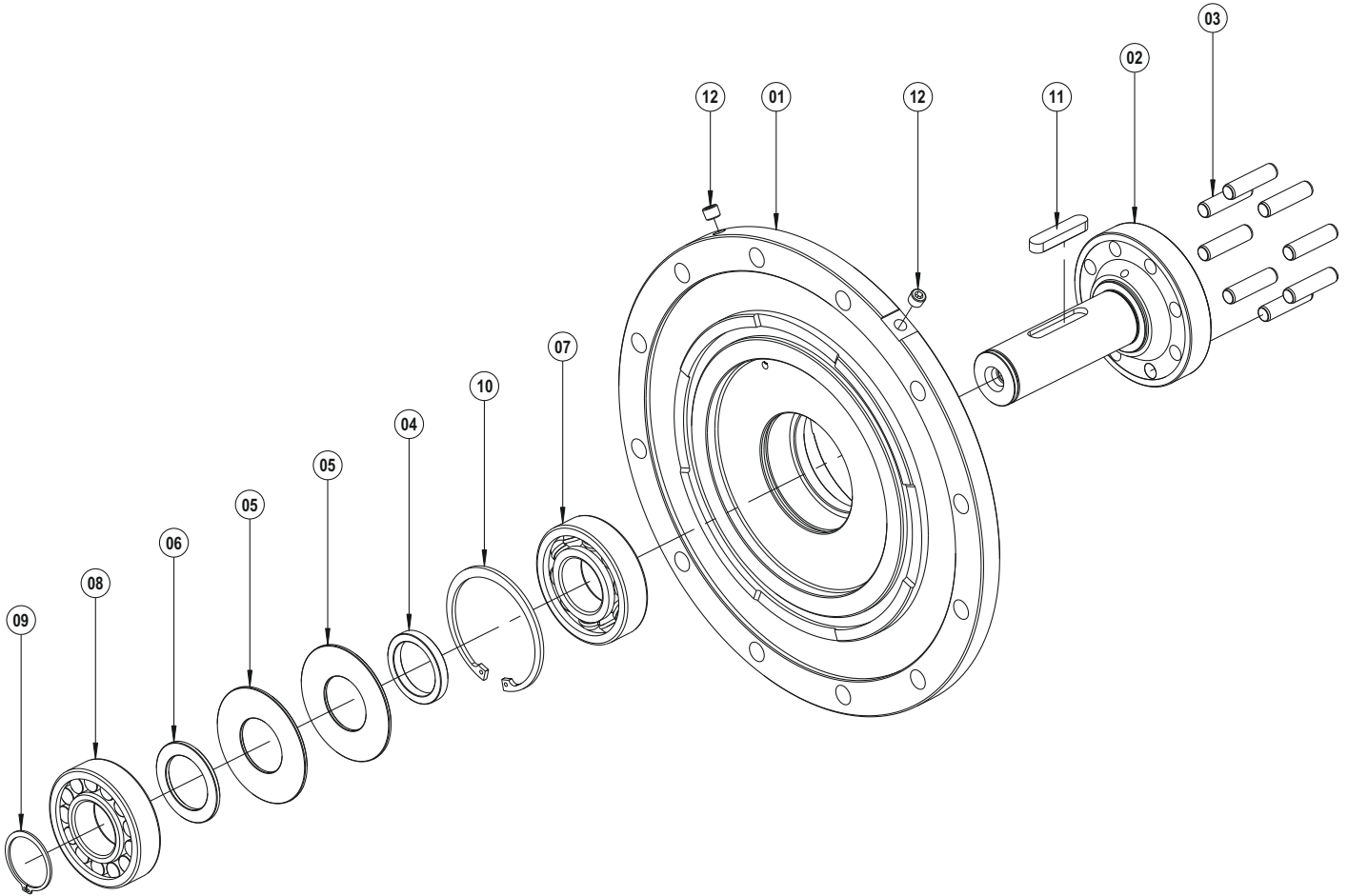
- 01 Ring Gear Housing
- 02 Cycloidal Disk
- 03 Eccentric Bearing
- 04 Spacer Ring
- 05 Ring Gear Pin
- 06 Ring Gear Roller
- 07 Shaft Roller
- 08 Gasket

PCD 607-615 RING GEAR KIT



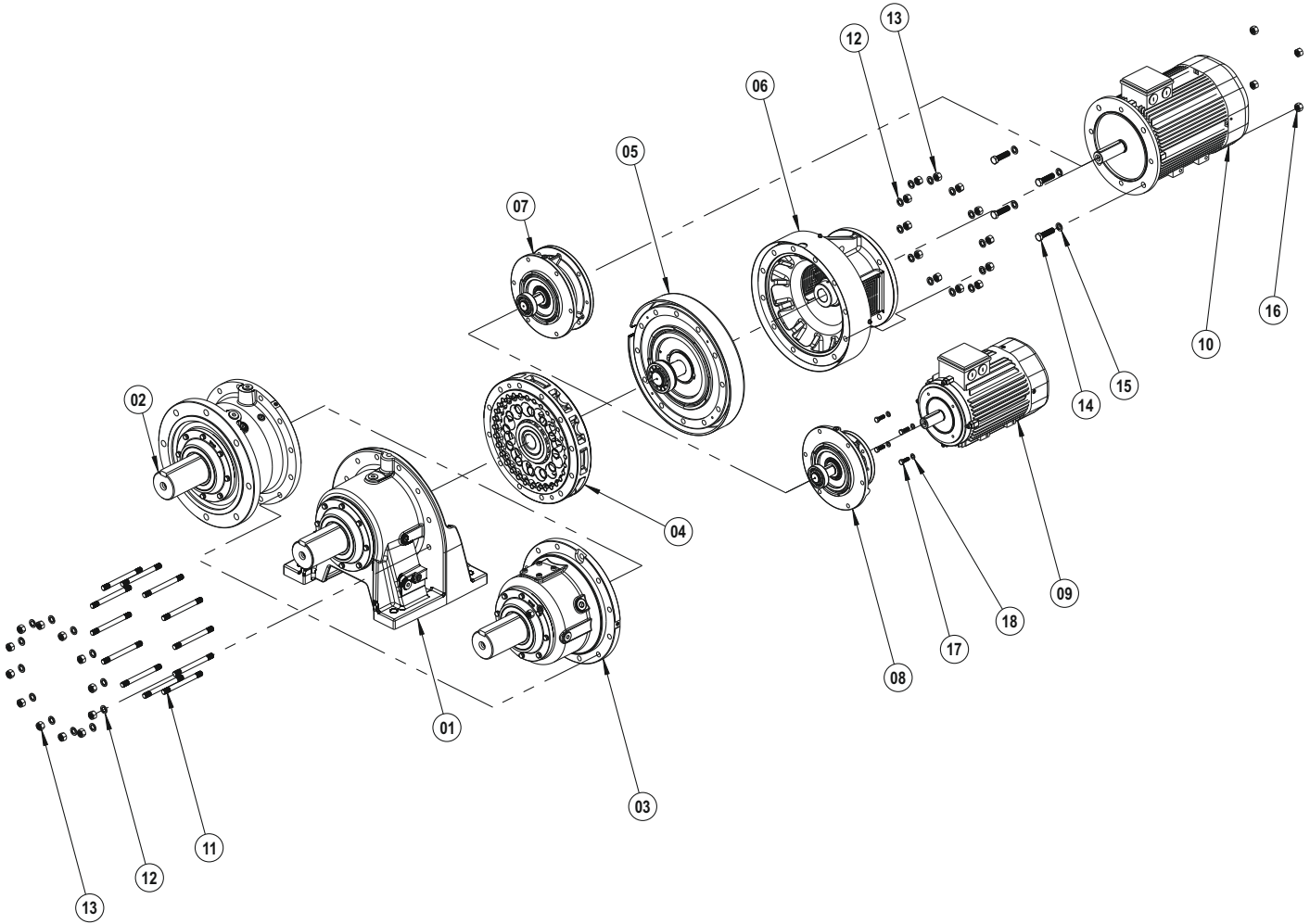
- 01 Ring Gear Housing
- 02 Cycloidal Disk
- 03 Eccentric Bearing
- 04 Spacer Ring
- 05 Ring Gear Pin
- 06 Ring Gear Roller
- 07 Shaft Roller
- 08 Gasket
- 09 Gasket

PCD 607-627 INTERMEDIATE SHAFT KIT



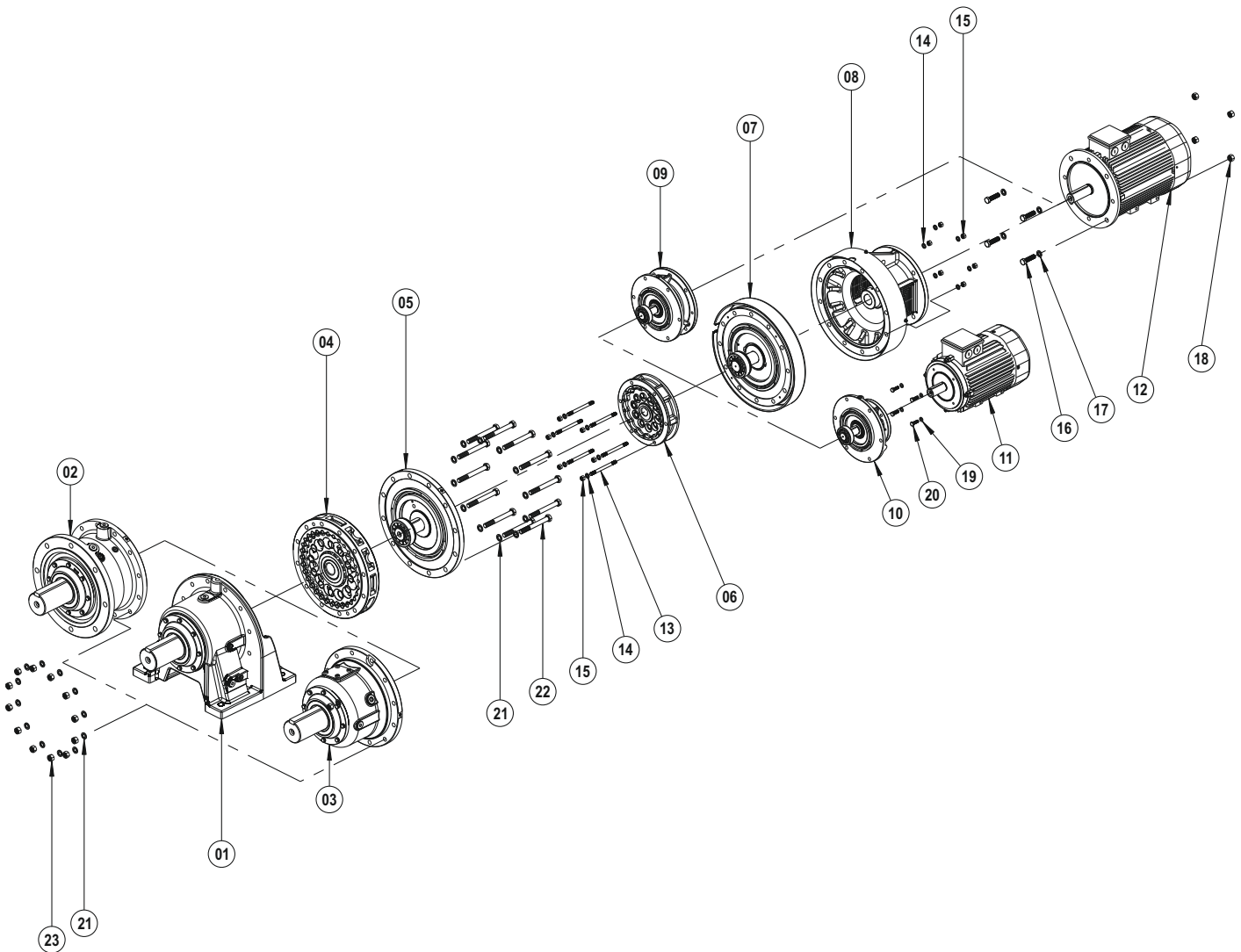
- 01 Intermediate Flange
- 02 Intermediate Shaft
- 03 Shaft Pin
- 04 Spacer
- 05 Spacer
- 06 Spacer
- 07 Bearing
- 08 Bearing
- 09 Circlip (DIN 471)
- 10 Circlip (DIN 472)
- 11 Key A (DIN 6885)
- 12 Setscrew (DIN 916)

KITS IN PCD 607-627 SINGLE STAGES



- 01 H Output KIT
- 02 V Output KIT
- 03 F Output KIT
- 04 Ring Gear KIT
- 05 Free Input KIT
- 06 C-Face B5 KIT
- 07 Hollow Shaft Adapter B5 KIT
- 08 Hollow Shaft Adapter B14 KIT
- 09 Motor B14
- 10 Motor B5
- 11 Stud Bolt (DIN 939)
- 12 Washer (DIN 127)
- 13 Nut (DIN 934)
- 14 Bolt (DIN 933)
- 15 Washer (DIN 127)
- 16 Nut (DIN 934)
- 17 Washer (DIN 127)
- 18 Bolt (DIN 933)

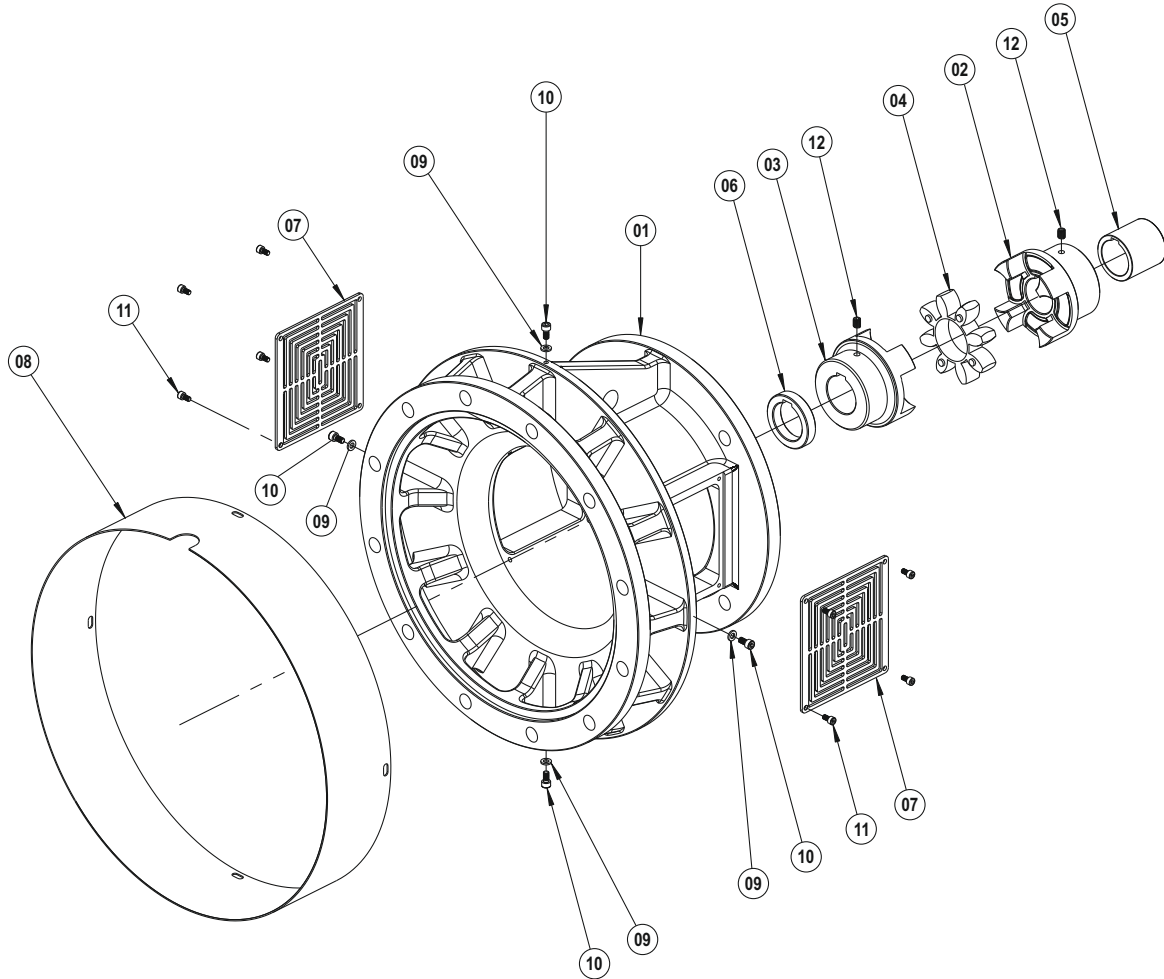
KITS IN PCD 607-627 DOUBLE STAGES



- 01 H Output KIT
- 02 V Output KIT
- 03 F Output KIT
- 04 Ring Gear KIT
- 05 Intermediate Shaft KIT
- 06 Ring Gear KIT
- 07 Free Input KIT
- 08 C-Face B5 KIT
- 09 Hollow Shaft Adapter B5 KIT
- 10 Hollow Shaft Adapter B14 KIT
- 11 Motor B14
- 12 Motor B5
- 13 Stud Bolt (DIN 939)
- 14 Washer (DIN 127)
- 15 Nut (DIN 934)
- 16 Bolt (DIN 933)
- 17 Washer (DIN 127)
- 18 Nut (DIN 934)
- 19 Washer (DIN 127)
- 20 Bolt (DIN 933)
- 21 Washer (DIN 127)
- 22 Bolt (DIN 933)
- 23 Nut (DIN 934)

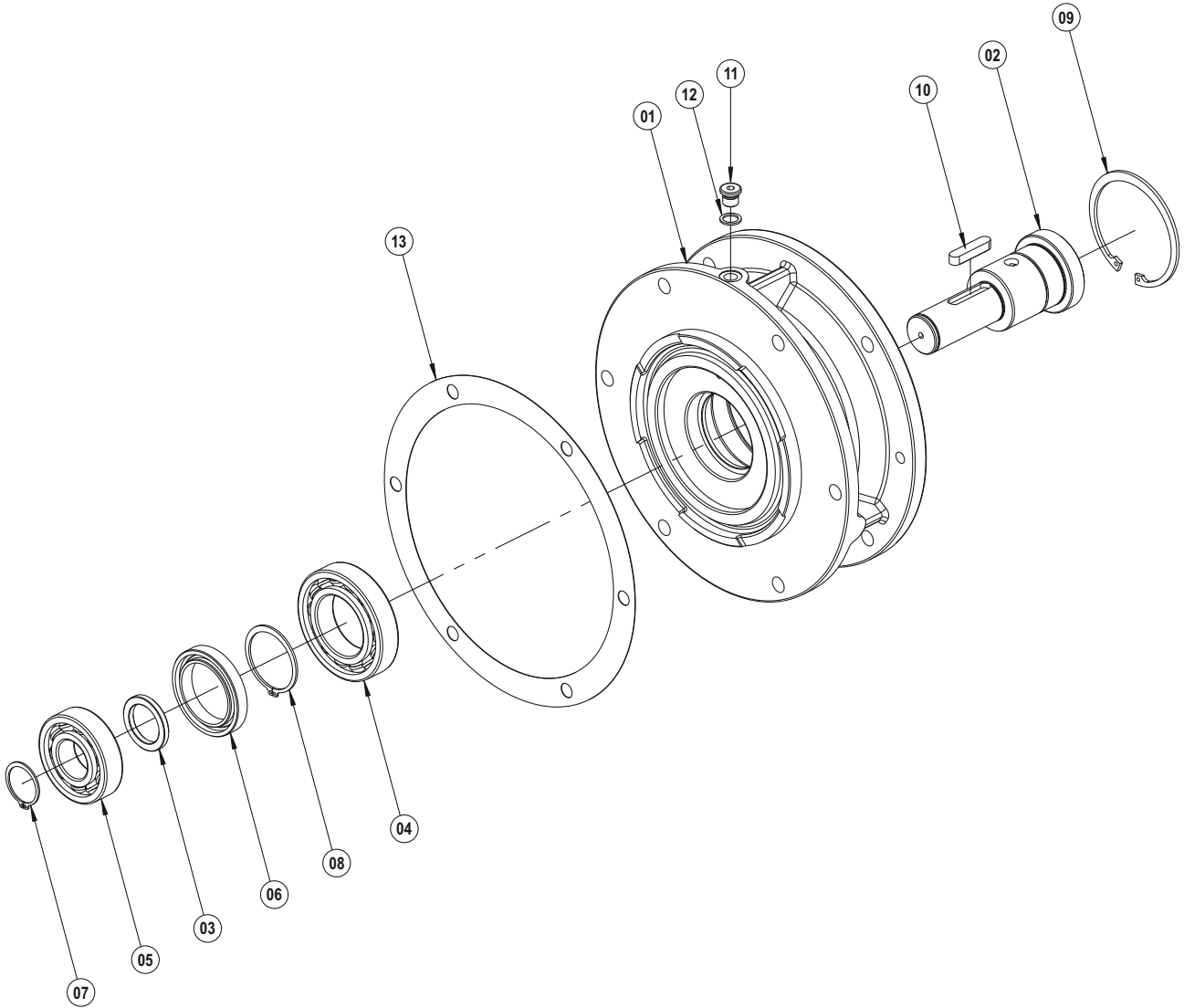
C-FACE

PCD 607-627 C-FACE B5 KIT



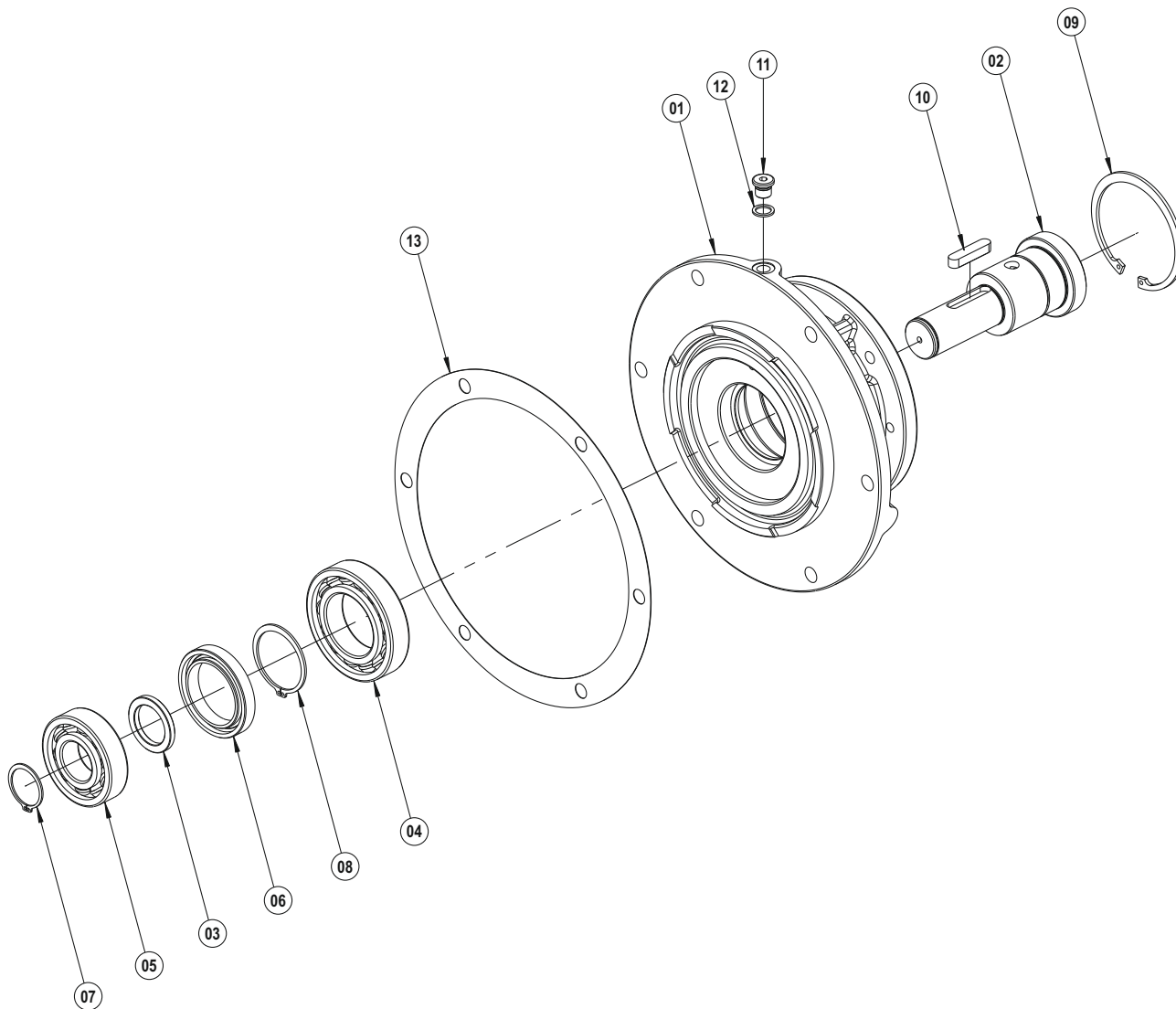
- 01 C-Face B5 KIT
- 02 Coupling (Motor Side)
- 03 Coupling (Gearbox Side)
- 04 Spider
- 05 Spacer
- 06 Spacer
- 07 Shield
- 08 Cover Plate
- 09 Washer
- 10 Bolt (DIN 912)
- 11 Bolt (DIN 912)
- 12 Setscrew (DIN 916)

PCD 607-622 HOLLOW SHAFT ADAPTER B5 KIT



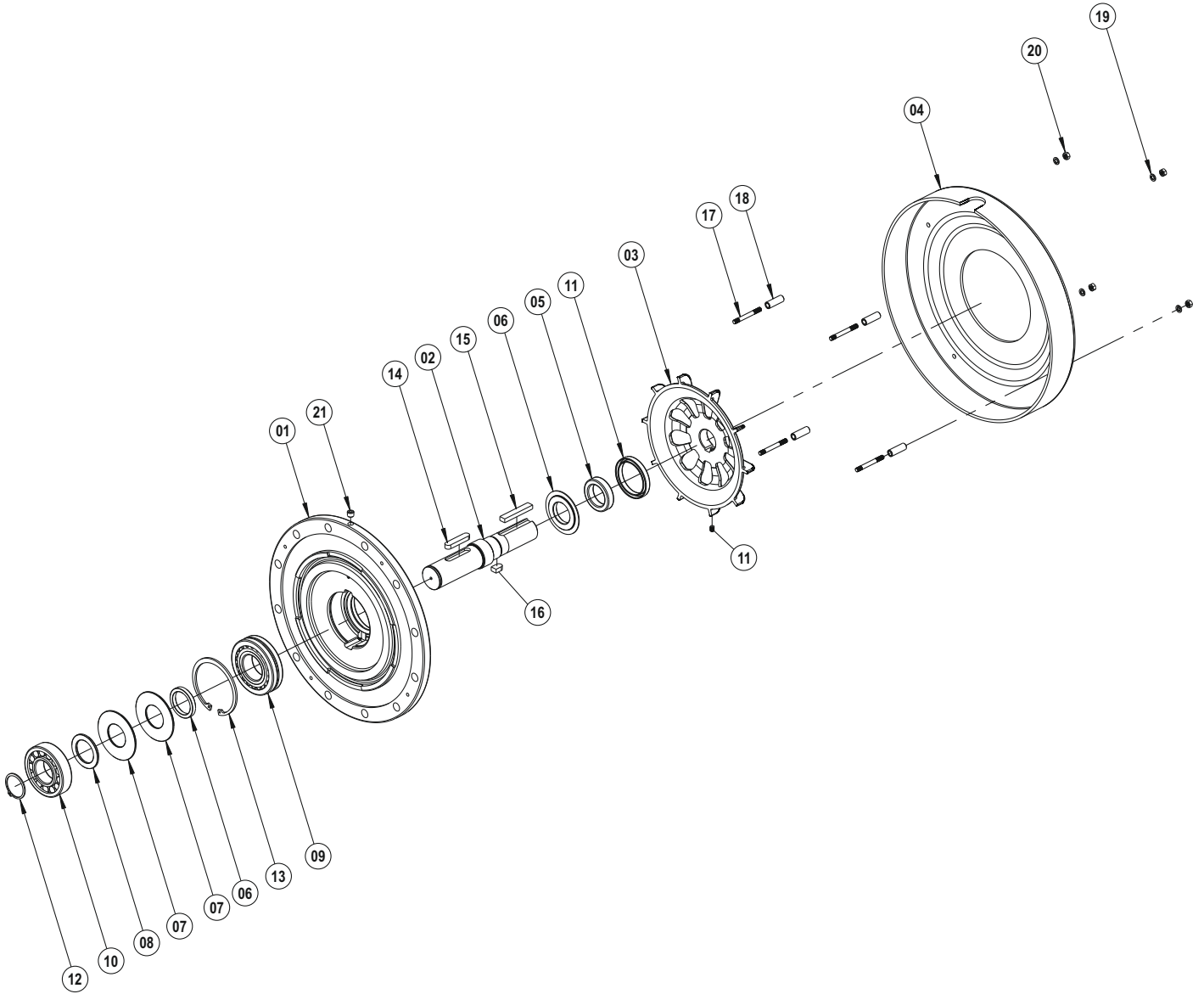
- 01 Hollow Flange B5
- 02 Hollow Shaft B5
- 03 Spacer
- 04 Bearing
- 05 Bearing
- 06 Oil Seal
- 07 Circlip (DIN 471)
- 08 Circlip (DIN 471)
- 09 Circlip (DIN 472)
- 10 Key A (DIN 6885)
- 11 Oil Plug (DIN 908)
- 12 Washer (DIN 7603)
- 13 Gasket

PCD 607-616 HOLLOW SHAFT ADAPTER B14 KIT



- 01 Hollow Flange B14
- 02 Hollow Shaft B14
- 03 Spacer
- 04 Bearing
- 05 Bearing
- 06 Oil Seal
- 07 Circlip (DIN 471)
- 08 Circlip (DIN 471)
- 09 Circlip (DIN 472)
- 10 Key A (DIN 6885)
- 11 Oil Plug (DIN 908)
- 12 Washer (DIN 7603)
- 13 Gasket

PCD 607-627 FREE INPUT KIT



- 01 Input Flange
- 02 Input Shaft
- 03 Input Fan
- 04 Input Fan Cover
- 05 Input Collar
- 06 Spacer
- 07 Spacer
- 08 Spacer
- 09 Bearing
- 10 Bearing
- 11 Oil Seal
- 12 Circlip (DIN 471)
- 13 Circlip (DIN 472)
- 14 Key A (DIN 6885)
- 15 Key B (DIN 6885)
- 16 Key A-B (DIN 6885)
- 17 Stud Bolt (DIN 835)
- 18 Input Fan Cover Spacer
- 19 Washer (DIN 127)
- 20 Nut (DIN 936)
- 21 Setscrew (DIN 916)



- Ata OSB Mah. Astim 1. Cad. No: 4, Pk 105 Efeler / Aydın / TÜRKİYE
- T: +90 256 231 19 12 - 16 (pbx)
- F: +90 256 231 19 17
- info@pgr.com.tr - satissonrasi@pgr.com.tr
- www.pgr.com.tr